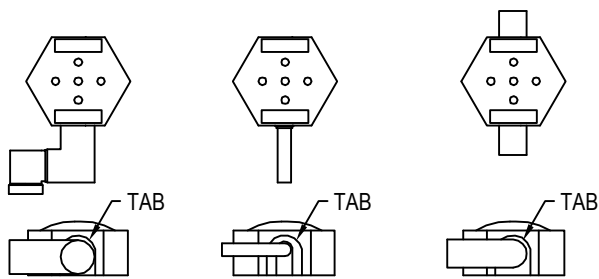


SELECT DESIRED OPTION:

- BUBBLER  
 1/4" DRIP LINE (EMITTER)  
 1/2" DRIP LINE (EMITTER)



BUBBLER

PULL OUT  
ONE TABS

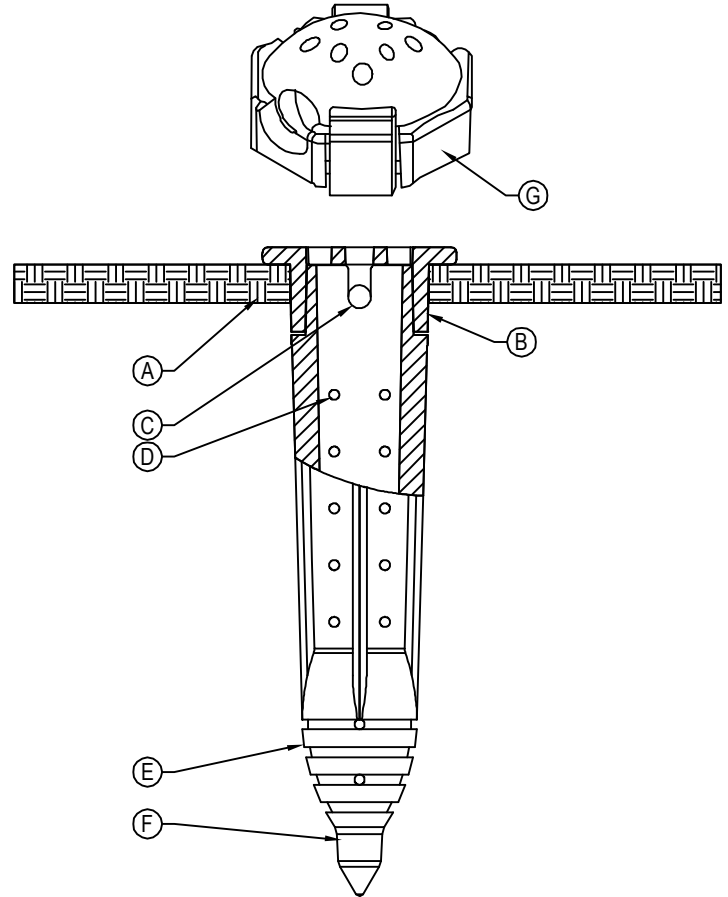
1/4" DRIP LINE

PULL OUT NO TAB  
PLACE 1/4 LINE THRU  
MOLDED OPENING

1/2" DRIP LINE  
(THROUGH LINE)

PULL OUT  
TWO TABS

- (A) MULCH  
(B) PERFORATED CAP  
(C) OPEN/SHUT 1/4" DRIP LINE PORT  
(D) WATER OXYGEN FLOW PORTS  
(E) TAPERED BULB WITH EMBEDDED WATER OXYGEN PORTS  
(F) CLOSED BOTTOM TIP  
(G) IRRIGATION BUBBLER EMITTER, DRIP LINE CONNECTION LOCKING CAP



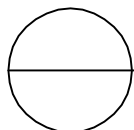
CROSS SECTION

MANUFACTURER NOTES:

- 8.5" AND 4.5" ROOT FLOW. (MODELS RFI-L RFI-S)
- SUB-SURFACE WATER, OXYGEN AND NUTRIENT TUBES.
- EASY INSTALLATION, USE A RUBBER Mallet, ETC TO INSERT INTO GROUND. IN HARSH HARD SOLIDS, FIRST LOOSEN THE SOIL BY POUNDING A SCREW DRIVER INTO THE DIRT AND TWIST IT IN A CIRCULAR MOTION.

NOTES:

- INSTALLATION TO BE COMPLETED IN ACCORDANCE WITH MANUFACTURER'S SPECIFICATIONS.
- DO NOT SCALE DRAWING.
- THIS DRAWING IS INTENDED FOR USE BY ARCHITECTS, ENGINEERS, CONTRACTORS, CONSULTANTS AND DESIGN PROFESSIONALS FOR PLANNING PURPOSES ONLY. THIS DRAWING MAY NOT BE USED FOR CONSTRUCTION.
- ALL INFORMATION CONTAINED HEREIN WAS CURRENT AT THE TIME OF DEVELOPMENT BUT MUST BE REVIEWED AND APPROVED BY THE PRODUCT MANUFACTURER TO BE CONSIDERED ACCURATE.
- CONTRACTOR'S NOTE: FOR PRODUCT AND COMPANY INFORMATION VISIT [www.CADdetails.com/info](http://www.CADdetails.com/info) AND ENTER REFERENCE NUMBER 5200-002



ROOT FLOW PRODUCTS

ROOT FLOW PRODUCT DETAIL - IRRIGATION